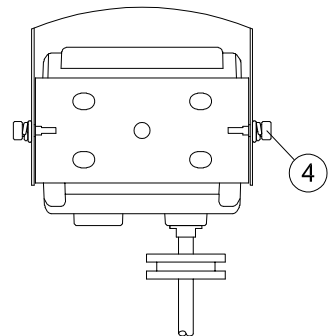
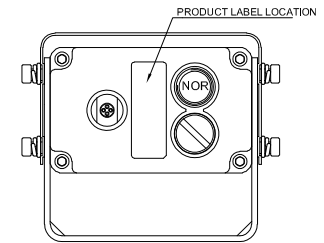
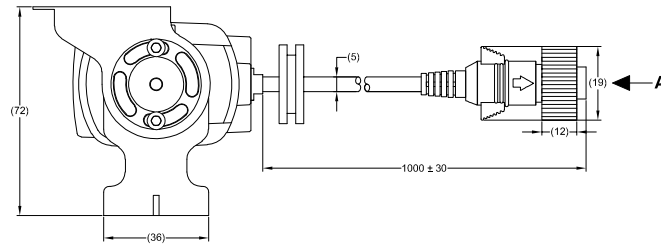
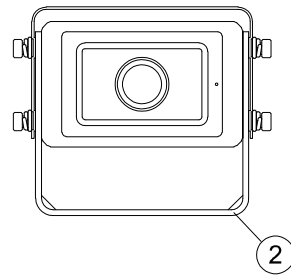
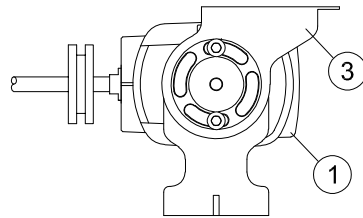
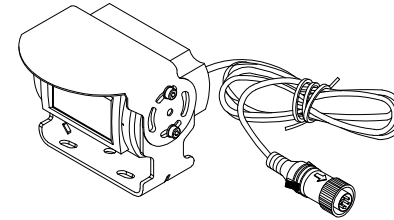
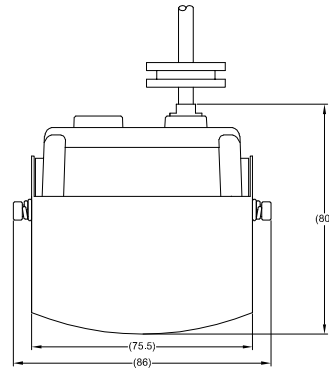
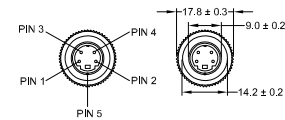


Revision Notes.				
R1 -				
APA: -	Drawn:-	Checked:-	Approved:-	Date: -

ITEM	PART NO	QTY	MODEL/DESCRIPTION
①	(4248B)	1	BE-800C-NIR-C CAMERA ONLY
②	(3244A)	1	BE-89XC/BE-X0XC-BKT CAMERA BRACKET
③	(3245)	1	BE-89XC/BE-X0XC-SS CAMERA SUNSHIELD
④	(3246)	1	BE-2XXC/8XXC-FIX CAMERA FIXING PACK (NOT SHOWN)
⑤	(4249B)	1	BE-800C-NIR-IG INSTALLATION GUIDE (NOT SHOWN)



**VIEW A**



**4 PIN MINI DIN MALE MATING FACE**

PIN #	WIRE COLOUR	DESCRIPTION
1	YELLOW	VIDEO
2	RED	+12V
3	BLUE	N.C
4	WHITE	AUDIO
5	BLACK/SHIELD	GND

- NOTES:**
- REFER TO COMPONENT DRAWINGS FOR COMPONENT DETAILS.
  - FOR PRODUCT LABEL AND PACKAGING DETAILS REFER TO MASTER BOM.
  - FOR INSTALLATION DETAILS REFER TO INSTALLATION GUIDE.
  - ANY CUSTOMER MODIFICATION OF THIS PRODUCT CAUSING SUBSEQUENT FAILURE IS NOT A LIABILITY OF BRIGADE ELECTRONICS PLC.

**PROPRIETARY NOTICE**

THIS DESIGN AND TECHNICAL INFORMATION APPEARING ON THIS DRAWING IS THE PROPERTY OF BRIGADE ELECTRONICS, AND IS DISCLOSED IN CONFIDENCE. IT IS NOT TO BE COPIED, REPRODUCED, REVEALED TO OR EXPROPRIATED BY OTHERS, EITHER IN WHOLE OR IN PART WITHOUT THE EXPRESS WRITTEN CONSENT OF BRIGADE ELECTRONICS.

Assembly Pl Approval T.CHOI (09/03/2020)	Approved by L.PILLAY	Checked by S.LAVER	Drawn by J.STEWART
Angle of Projection 	Units mm	Scale N/A	Released 11/03/20
Status RELEASED	Assembly Ref BE-800C-NIR		
Part No 4247B	BE-004312-00-20		

**BRIGADE**<sup>®</sup>  
www.brigade-electronics.com